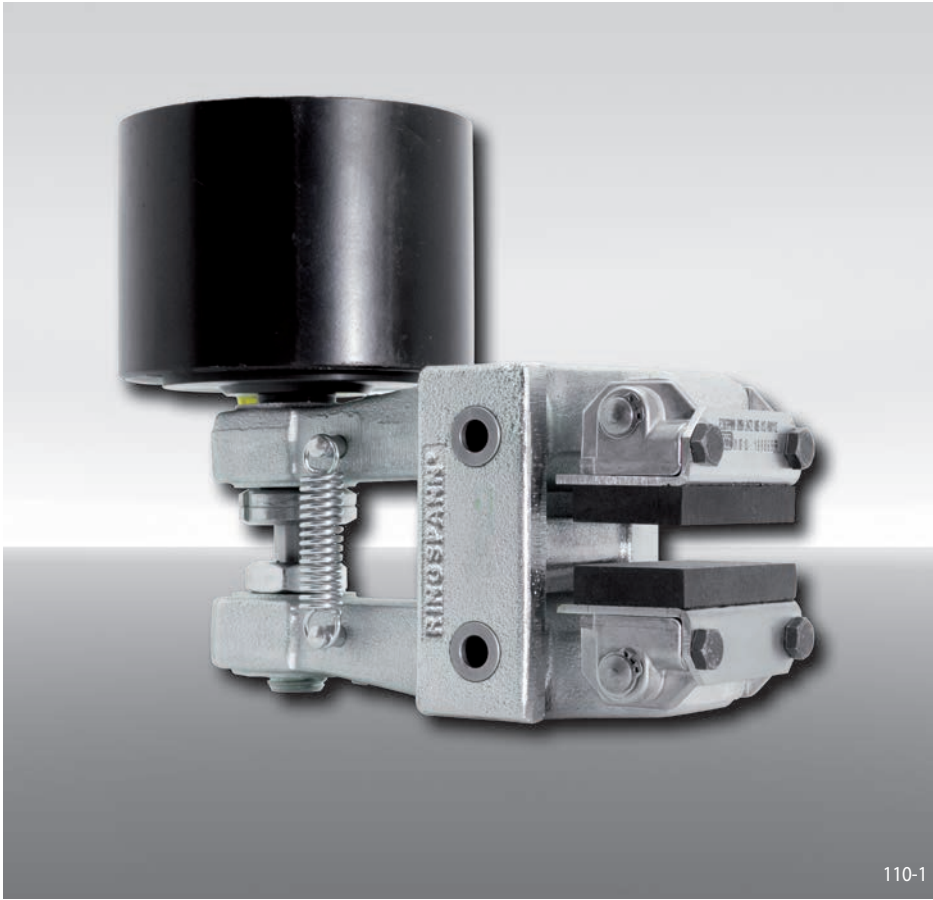


# Brake Caliper DH 025 PFM

pneumatically activated – spring released



## Features

| Features  | Code       |
|---|------------|
| Brake Caliper   | D          |
| Mounting to the machine at right angles to the brake disc | H          |
| Frame size 025  | 025        |
| Pneumatically activated                                   | P          |
| Spring released   | F          |
| Manual adjustment to accommodate friction block wear      | M          |
| Thrusters 635 or 655 are available                        | 635<br>655 |
| Thruster mounted right or left available                  | R<br>L     |
| Thickness of brake disc 12,5 mm or 25 mm                  | 12<br>25   |

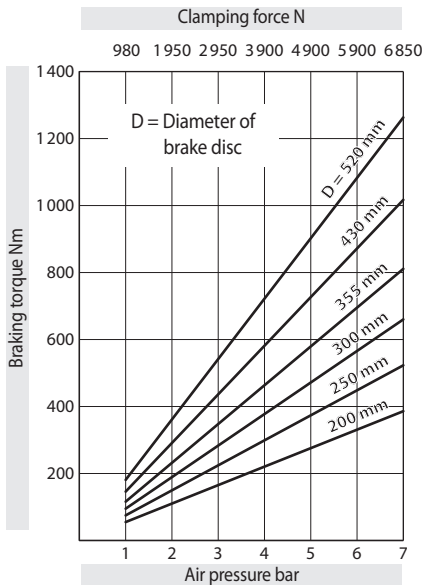
## Example for ordering

Brake Caliper DH 025 PFM, thruster 635, thruster mounted right, thickness of brake disc 12,5 mm:

DH 025 PFM - 635 R - 12

## Technical Data

Brake Caliper DH 025 PFM - 635



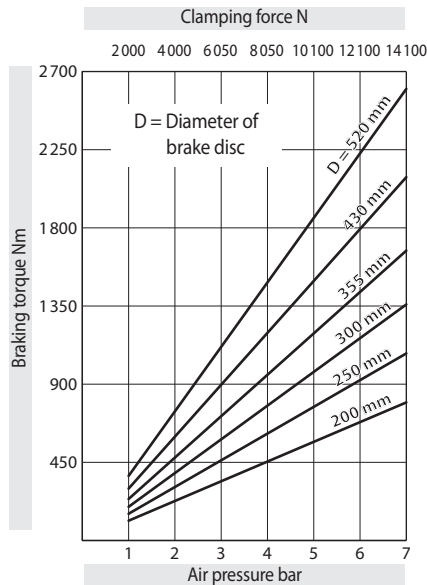
The braking torques shown in the diagram are based on a theoretical friction coefficient of 0,4.

Air pressure: max. 7 bar

Air volume: max. 175 cm<sup>3</sup> per activation

Weight: 7,1 kg

Brake Caliper DH 025 PFM - 655



The braking torques shown in the diagram are based on a theoretical friction coefficient of 0,4.

Air pressure: max. 7 bar

Air volume: max. 740 cm<sup>3</sup> per activation

Weight: 10,3 kg

# Brake Caliper DH 025 PFM

pneumatically activated – spring released

